



The Low-Bay/High-Bay Luminaire With the Highest Lumens Per Dollar Available Today.

EXCEPTIONAL Performance

Cree does it again with the CXB Series, which can replace up to 250W and 400W HID low-bay and high-bay fixtures at the highest lumens per dollar among competing LED luminaires available today. And it's priced to enable payback at less than 3 years.

VERSATILE Design & Aesthetics

With a compact, lightweight construction, you have your choice of aluminum, clear and white acrylic reflectors with optional bottom lenses — making the CXB Series ideal for education, grocery, gymnasium and industrial applications.

FLEXIBLE Mounting Options

Weighing 50% less than traditional metal halide high- and low-bay luminaires and available in traditional mounting options, the CXB Series offers a quick and easy installation for seamless upgrade and new construction opportunities.

LONG-TERM Value

Reap the benefits of long-term financial savings with lower energy bills and reduced maintenance costs — all by replacing those difficult-to-reach, elevated mounted fluorescent and HID fixtures with the CXB Series.



Clear Acrylic Reflector



White Acrylic Reflector



Anodized Matte
Aluminum Reflector

CXB Series LED Low-Bay/High-Bay Luminaire

At Cree, we're redefining low/high-bay LED performance. With multiple lumen packages, reflectors and lenses, designing the ideal solution for your application is quick and easy. Exceptional rated lifetimes, zero restrike time and compact lightweight construction allow you to put the CXB Series in the ceiling and forget about it – making it ideal for grocery, gymnasium, industrial, retail, manufacturing and warehouse applications.

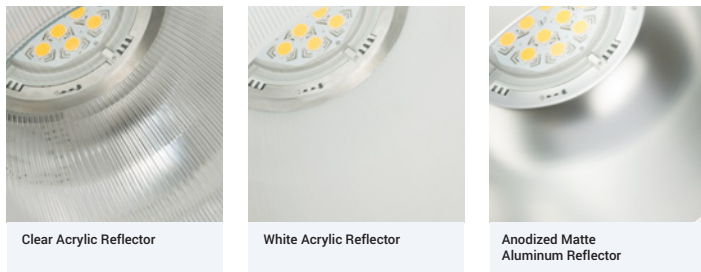
Performance Summary

Delivered Light Output: 18,000 or 24,000 median lumens
Input Power: 160 or 240 watts
CRI: 80
CCT: 4000K, 5000K
Input Voltage: 120-277 VAC or 347-480 VAC
Warranty: 10 years
Mounting: J-box, pendant, and hook, cord & plug
Weight: Maximum 14 lbs.
Dimming: 0-10V standard

Construction & Materials

Die-cast aluminum heatsink.
Low-profile, lightweight design provides ease of installation.
Mounting choices of direct J-box/pendant and hook, cord & plug.
JP Mount mounts directly over existing 4" single gang square, rectangular and octagonal junction boxes for direct mount.
JP Mount has provision to accept 3/4" IP pendant (by others).
HC Mount is provided with spring lock hook for mounting and factory-installed 6' power cord and plug.
Factory calibrated to hang straight.

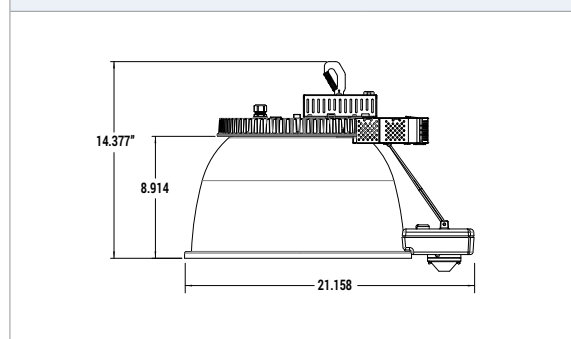
Optical System



Lens Options



Dimensions



Cree IS LED Lighting

Visit www.cree.com/lighting or contact a Cree lighting representative to learn more.

info@cree.com | 800.236.6800

© 2014 Cree, Inc. All rights reserved. For informational purposes only. Not a warranty or specification. See www.cree.com/lighting for warranty and specifications. Cree® and the Cree logo are registered trademarks of Cree Inc. CAT/SSHT-C025

